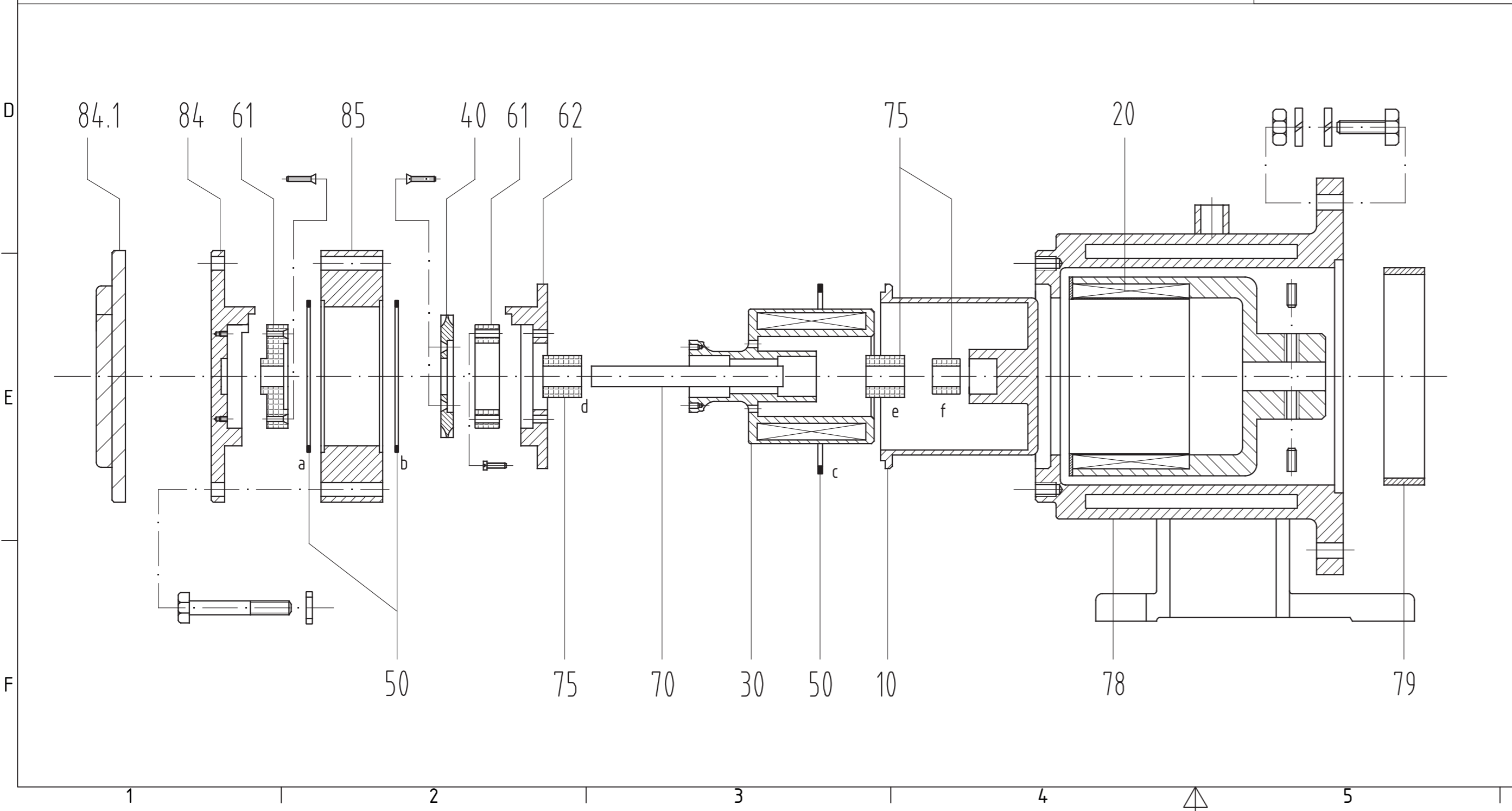


REF	DESCRIPTION	MATERIAL	CODE
10	Containment shell	SS 316	
20	Ext. Magnet	CoSm/ Carbon Steel	
30	Int. Magnet	SS 316L/CoSm	
40	Impeller	SS 316	
50	Set O-Rings (a+b+c) a + b = O-Ring 4350 (238) c = O-Ring 4400 (242)	FEP	
61	Thrust Bearings	Pcarbon	
62	Rear Ring	SS316	
70	Shaft	SIC	
75	Sleeve Bearings Bearings (d+e) Bearing (f)	SIC SS316	
78	Bracket + Adaptor Plate (200-165-24)	SS316	
79	Rub Ring	Bronze	
84	End Cover	SS 316	
85	Pump Casing	SS 316	
88	Rear Wet End (10+30+40+50+61+62+70+75)	/	
90	Rear Wet End (10+30+40+50+61+62+70+75+84+85)	/	
84.1	End Cover Jacket	SS 316	



Alle Angaben unverbindlich, technische Änderungen vorbehalten! Technical data not binding and subject to change!  
Copyright MARCH PUMPEN GmbH & Co.KG 2023

	MARCH PUMPEN GmbH & Co.KG Rätthausstraße 2 D-35394 Gießen info@march-pumpen.com www.march-pumpen.com		Allgemeintoleranzen nach DIN ISO 2768-m Alle Kanten gratfrei	
			Datum: 31.05.2023 Name: Lach	Series MTA MTA55 F JACKETED
DPCA-MTA-0055-J			1 A2	
Status	Änderungen	Datum	Name	